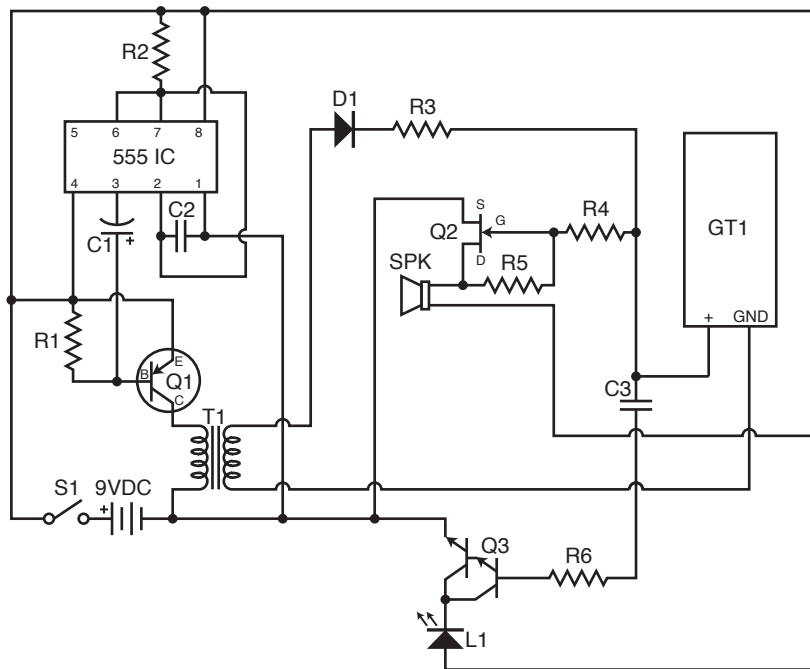


G17339 - Russian Geiger Tube



Parts List

C1	_____	1μF Tantalum Capacitor
C2	_____	0.47μF Monolythic Capacitor
C3	_____	10pF Ceramic Capacitor
D1	_____	1N4007 Diode
GT1	_____	Russian Geiger Tube
IC1	_____	555 Timer IC
L1	_____	LED
Q1	_____	2N3906 Transistor
Q2	_____	2N7000 FET Transistor
Q3	_____	2N6427 NPN Darlington Transistor
R1	_____	4.7KΩ 1/8W Resistor
R2	_____	12KΩ 1/8W Resistor
R3	_____	100KΩ 1/4W Resistor
R4	_____	4.7MegΩ 1/4W Resistor
R5	_____	1MegΩ 1/4W Resistor
R6	_____	10MegΩ 1/4W Resistor
S1	_____	Switch
T1	_____	Inverter Transformer

